

Fig. 01

**Accessories**



1 x main frame



1 x left leg



1 x right leg



2 x fabric package bag



1 x white screen



1 x gray screen



6 x M8x53 mm screw



2 x M8x90 mm locknut



1 x accessory bag

Fig. 02

### Main Frame Installation

01) Open the flight case, press the corner link rod and remove the accessories from the flight case.

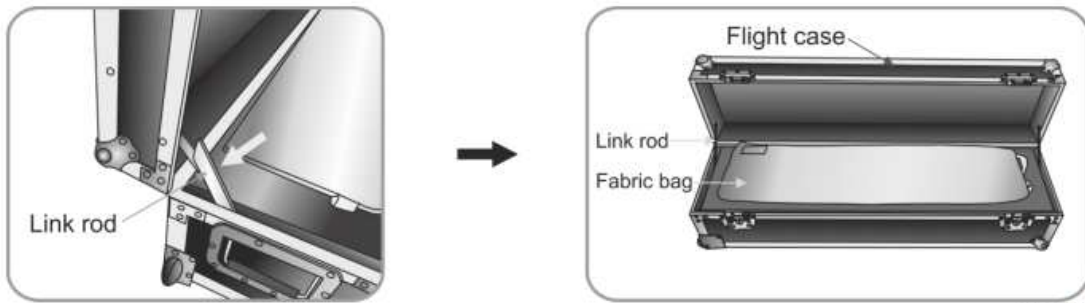


Fig. 03

02) Put the main frame on the floor, with the fabric rivet facing up. Stretch the tuning joints.

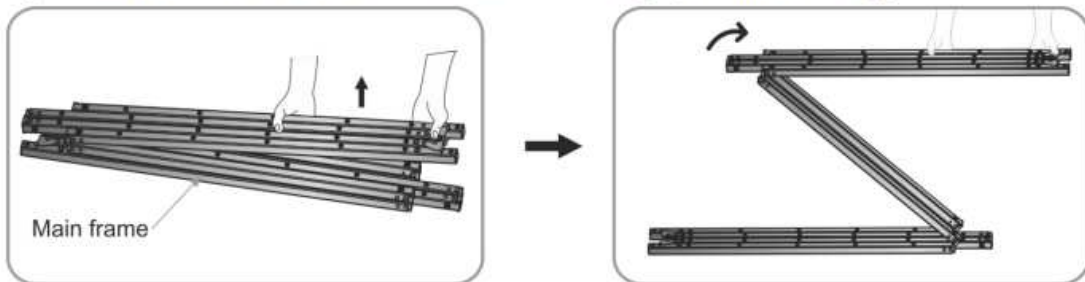


Fig. 04

03) In order to secure the frame, click the hinges into position. Extend the horizontal side of the frame.

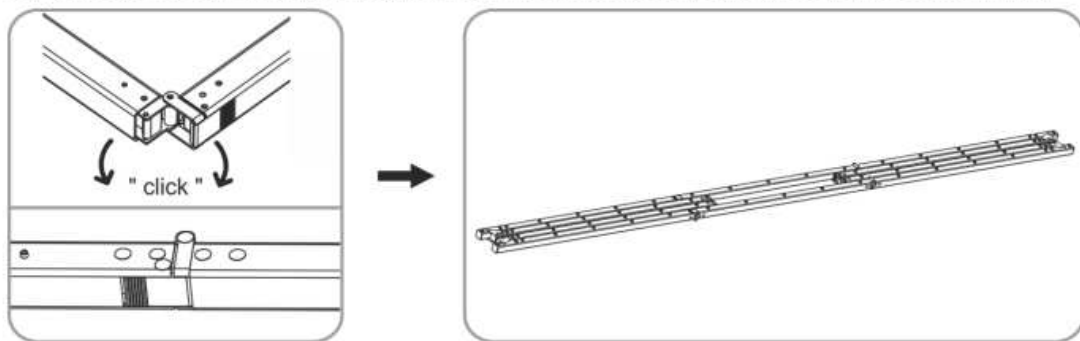


Fig. 05

04) Extend the vertical sides of the frame and click the hinges into position.

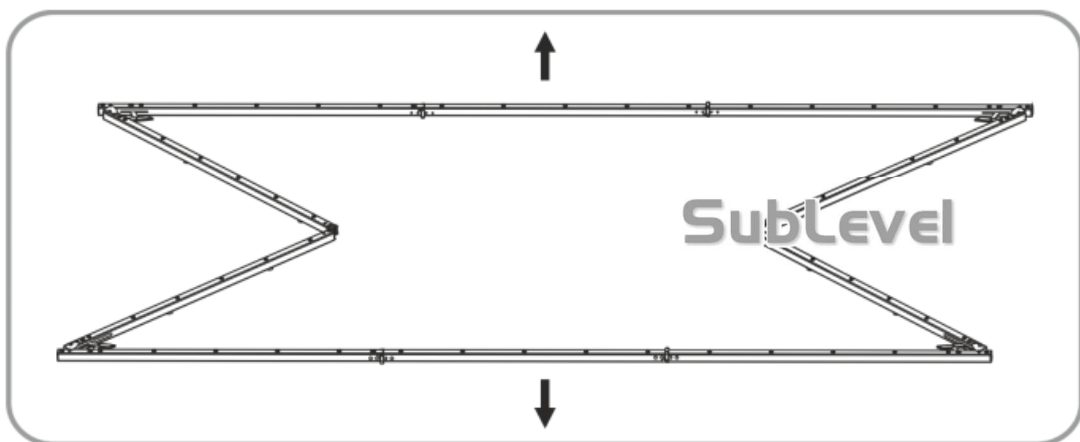


Fig. 06

05) Ensure that the corners are 90°. Stabilize them with the link rods.

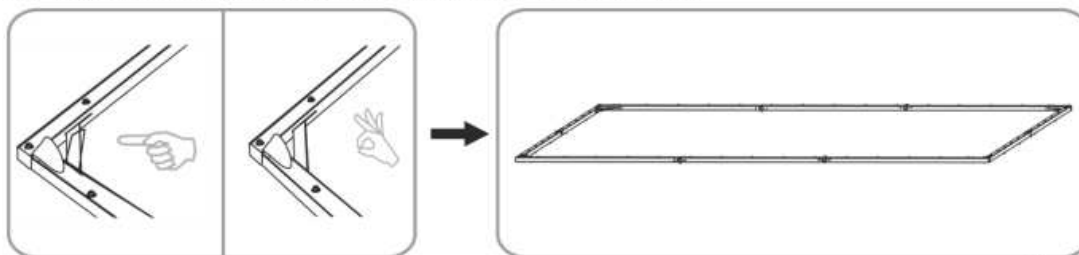


Fig. 07

Nepieciešams rāmja vienu pusi pacelt augstāk



Bultiņu secībā pielikt klāt projektoru ekrānu.

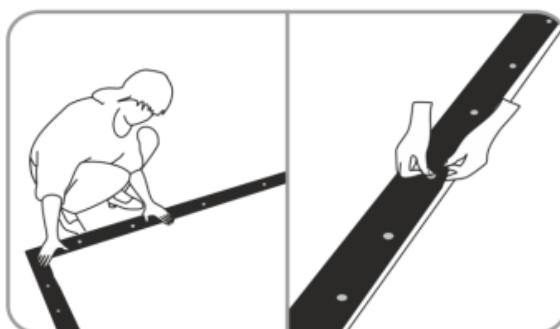
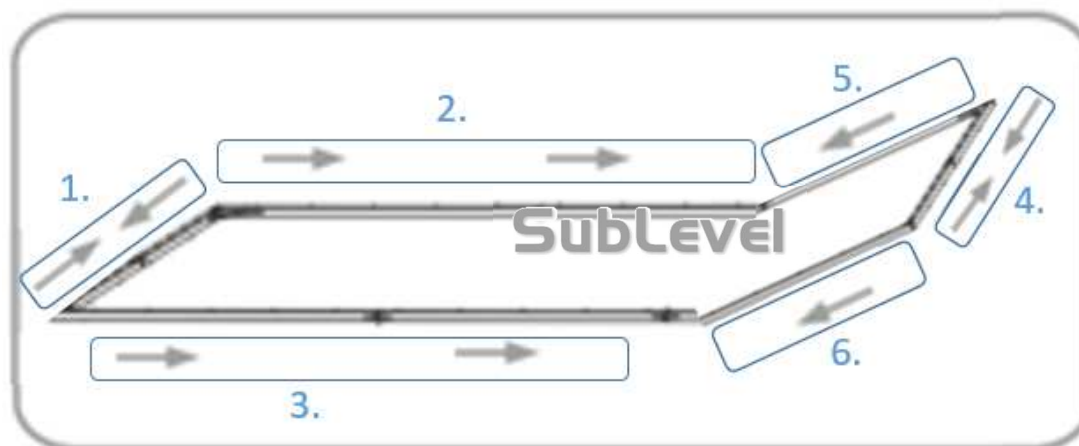


Fig. 09

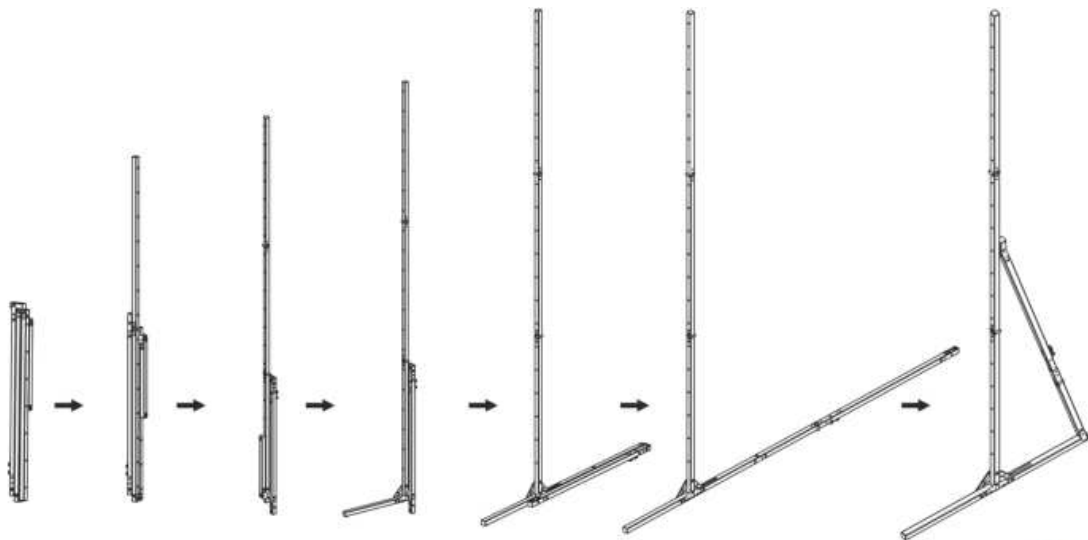


Fig. 10

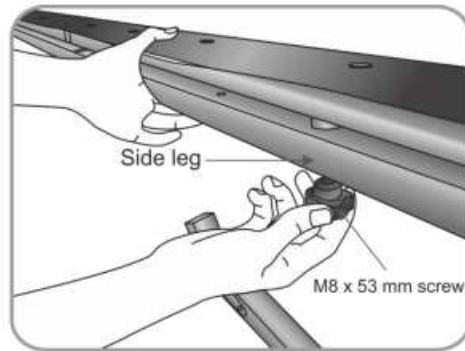
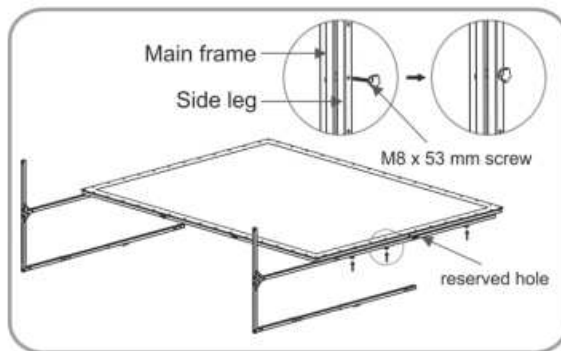


Fig. 11

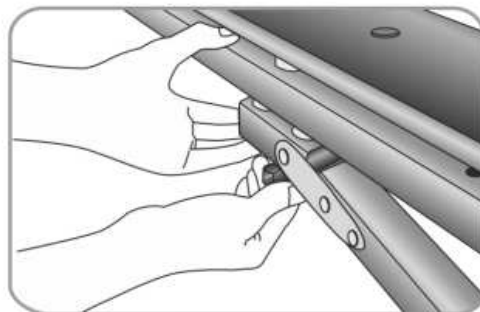
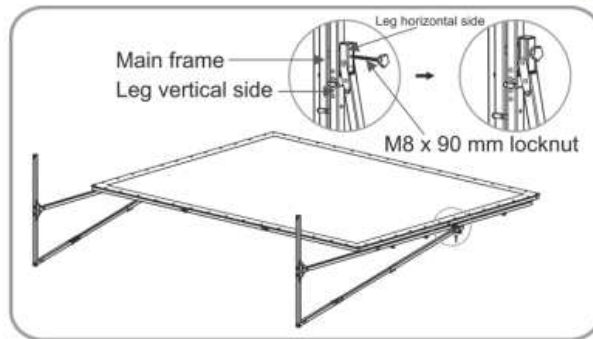
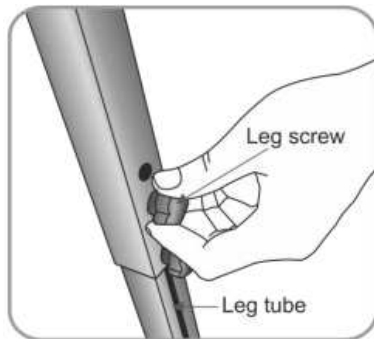


Fig. 12

04) Lift the screen up, in order to complete installation.

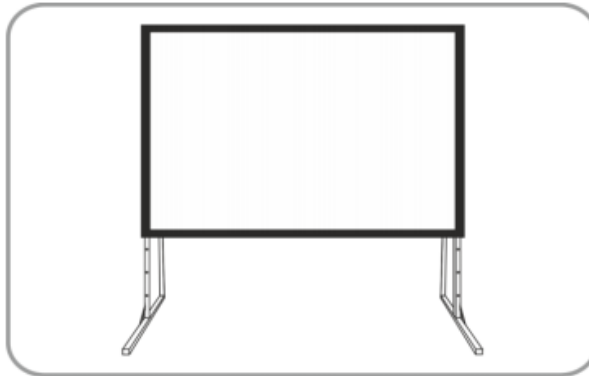


Fig. 13

### Disassembly

01) Place the screen on a flat surface, with the screen facing up.

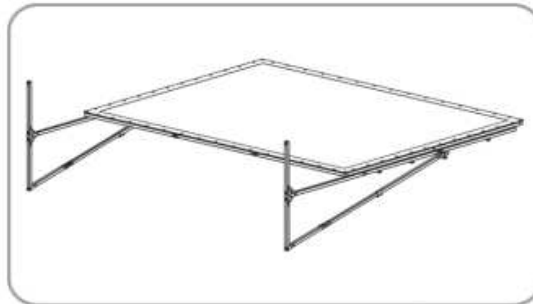


Fig. 14

02) Take the fabric off the frame, by releasing the buttons (Fig. 15). Clean the fabric, if necessary. Double up the fabric along the short sides (Fig. 16) and double it up again (Fig. 17). The 100" fabric should be doubled up 3 times, while the 120" and 150" fabrics – 4 times. Double it up again (Fig. 18). Leave the black border uncovered, to prevent scratches. Do not perform this step unassisted. 2 technicians are required.

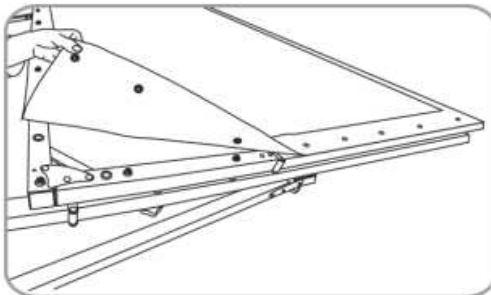


Fig. 15

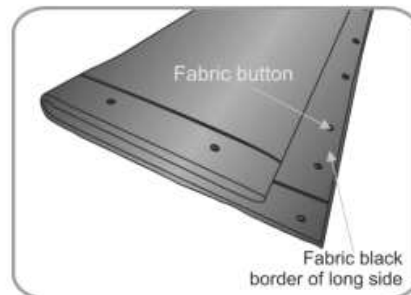


Fig. 16

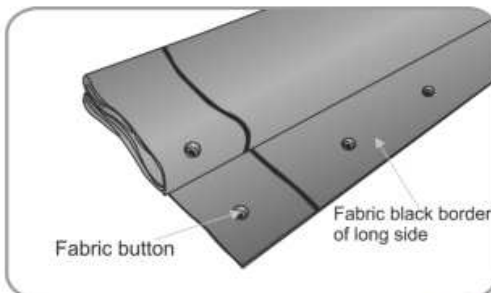


Fig. 17



Fig. 18

03) Put the folded fabric into the fabric bag and fasten the zipper.

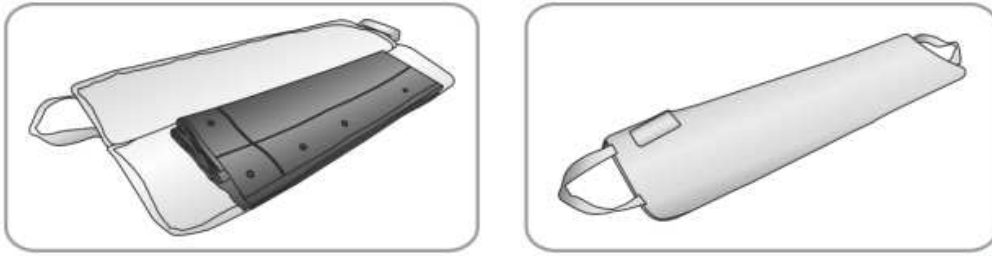


Fig. 19

04) Remove the locknuts on both legs and take off the legs (Fig. 20). Pull up the leg's corner link rod and remove the screws. Retract the leg tubes and fasten the screws again. Loosen the turning joint locks and fold the frame legs (Fig. 21, 22 and 23).

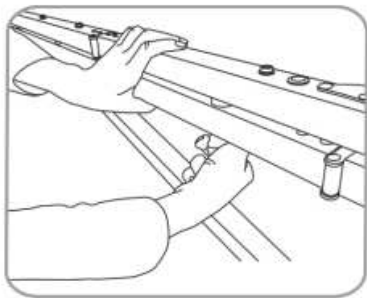


Fig. 20

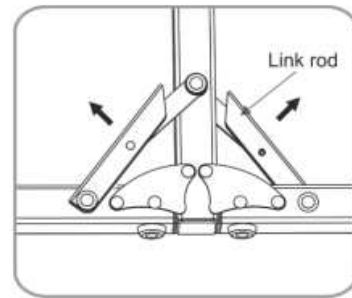


Fig. 21

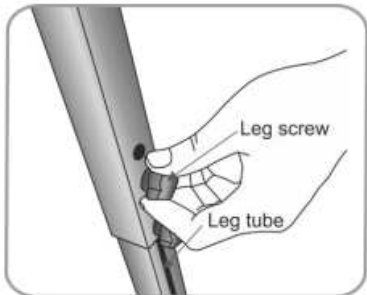


Fig. 22

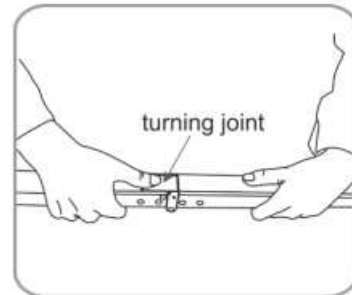


Fig. 23

05) Pull up the corner link rods on the main frame and unfasten the turning joints on the vertical side of the main frame.

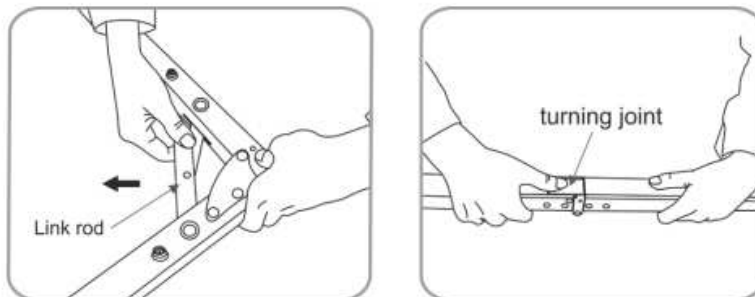


Fig. 24

06) Fold the main frame.

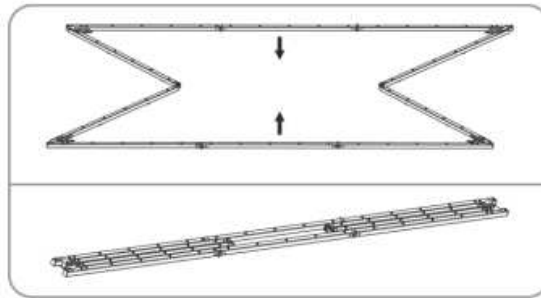


Fig. 25

07) Unfasten the horizontal sides of the main frame so that the frame is fully folded.

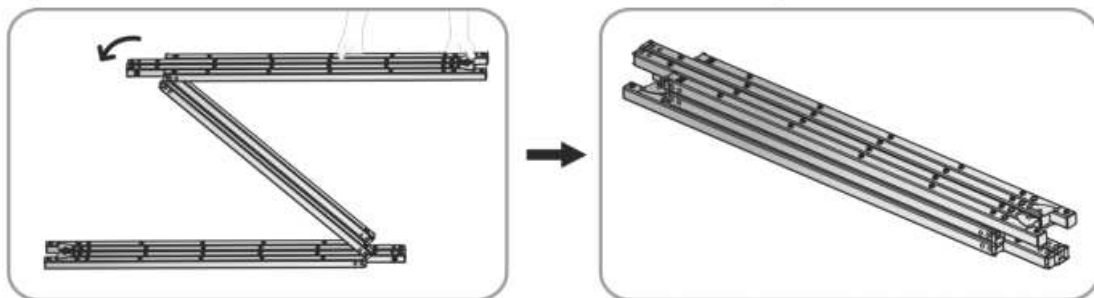


Fig. 26

08) Put the legs and the main frame in the flight case and fasten them (Fig. 27). Put the accessory bag inside. Insert the clapboard and put the fabric bags on it (Fig. 28).

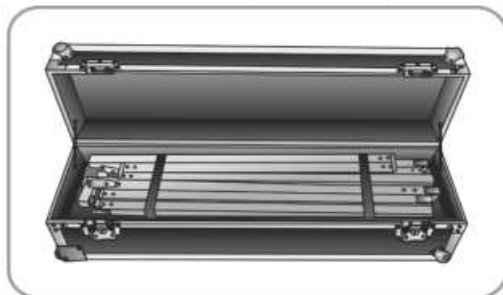


Fig. 27

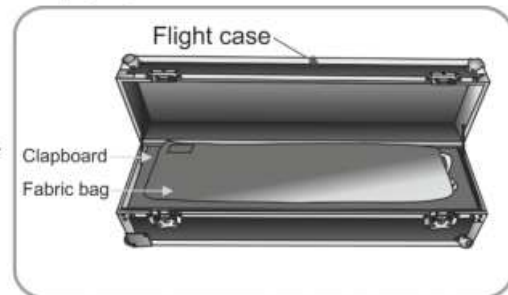


Fig. 28

09) Pull up the flight case corner link rod, close the flight case and fasten it.

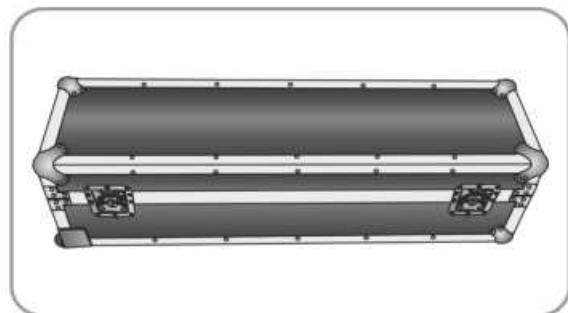
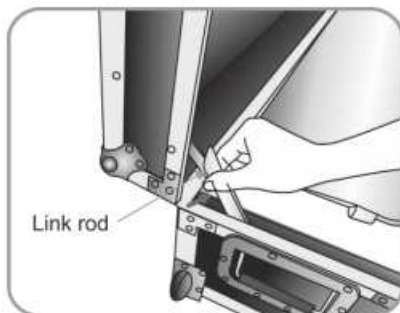


Fig. 29