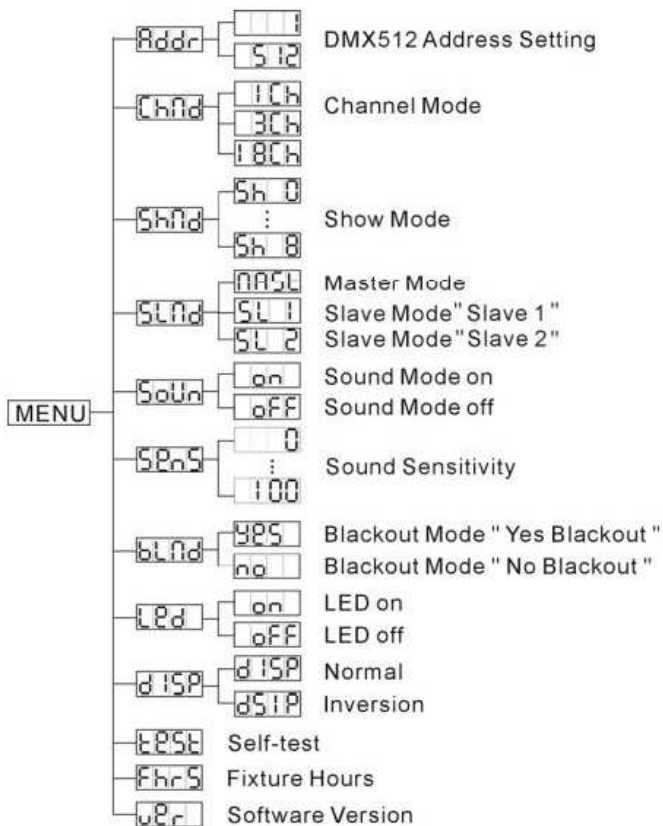


## Gobo Motion instrukcija



**System Menu: When making adjustments press ENTER to confirm your setup and then press and hold the MENU button for at least 3 seconds. To exit without making any adjustments press the MENU button.**

**SHND: SH 0 - SH8** - Show modes 0-8 (Factory programs).  
**Show mode can run with or without sound active mode.**

1. Press the MENU button until "SHND" is displayed, press ENTER.
2. "Sh X" will now be displayed, "X" representing a number between 0-8. Programs 1-8 are factory programs, while "Sh 0" is random mode. Press the UP or DOWN buttons to find your desired show.
3. When you have found your desired show press ENTER, then press and hold the MENU button for at least 3 seconds to activate.

**SOUN - Sound Active mode.**

1. Press the MENU button until "SOUN" is displayed, press ENTER.
2. The display will show either "ON" or "OFF". Press the UP or DOWN buttons to select "ON" to activate sound active mode, or "OFF" to deactivate sound active mode.
3. Press ENTER, and then press and hold the MENU button for at least 3 seconds to activate.

**SENS - Sound sensitivity control.**

1. Press the MENU button until "SENS" is displayed, press ENTER.
2. The display will show a number between 0-100. Press the UP or DOWN buttons to adjust the sound sensitivity. 0 being the least sensitive and 100 the most sensitive.
3. Press the ENTER button to confirm.