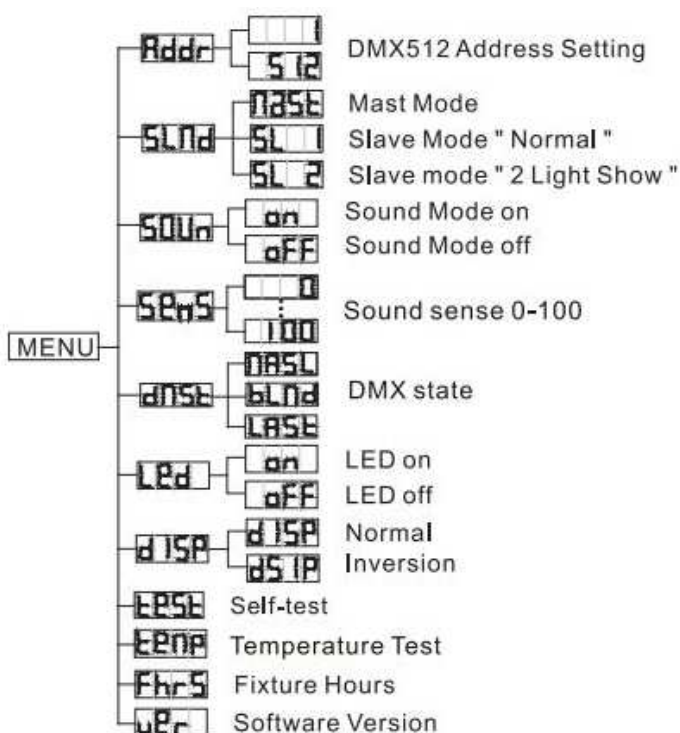


Quad Phase HP instrukcija

Quad Phase HP

System Menu



ADDR - DMX Address Setting.

1. Press the either the MENU, UP, or DOWN buttons until "ADDR" is displayed, press ENTER.
2. "1" will now be displayed and flashing. Press the UP or DOWN buttons to find your desired address. Press ENTER to set your desired DMX address.

SLND - This will let you set unit as a master or slave in a master/slave configuration.

1. Press the either the MENU button until "SLnd" is displayed, press ENTER. "MAST", "SL 1" or "SL 2" will be displayed.
2. Tap the UP or DOWN buttons until your desired setting is displayed, press ENTER to confirm and exit.

SOUN - Sound Active mode.

1. Press the MENU button until "SOUN" is displayed, press ENTER.
2. The display will show either "ON" or "OFF". Press the UP or DOWN buttons to select "ON" to activate sound active mode, or "OFF" to deactivate sound active mode.
3. Press ENTER to confirm.

SENS - Using this mode, you can set the sound sensitivity level. 0 for least sensitive, 100 for more sensitive.

1. Press the MENU button until "SENS" is displayed, press ENTER.
2. Using the UP or DOWN buttons adjust the sensivity level to your desire.
3. When you found your desired level, press the ENTER, and then press and hold the MENU button for at least 3 seconds to confirm.

DISP - This function will reverse the display 180°.

1. Pres the either the MENU button until "DISP" is displayed, press ENTER.
2. Press the UP button to select "DSIP" to activate this function, or "DISP" to deactivate this function.
3. Press ENTER to confirm.

TEST - This function will run a self test program .

1. Press the MENU button until "TEST" is displayed, press ENTER.
2. The unit will now run a self test. Press the MENU button to exit.

TEMP - With this function you can display the running temperature of the unit.

1. Press the MENU button until "TEMP" is displayed, press ENTER.
2. The current running temperature of the fixture will now be displayed. Press MENU to exit.

FHRS - With this function you can display the running time of the unit.

1. Press the either the MENU button until "FHRS" is displayed, press ENTER.
2. The display shows the running time of the unit. Press MENU to exit.

VER - Use this function to display the Software version of the unit.

1. Press the either the MENU button until "VER" is displayed, press ENTER.
2. The display will show the software version.

DNST - This mode can be used as a precaution mode, that in case the DMX signal is lost, the operating mode chosen in the setup is the running mode the fixture will go into when the DMX signal is lost. You can also set this as the operating mode you would like the unit to return to when power is applied.

1. Press the MENU button until "DNST" is displayed, press ENTER.

2. Either "MAST", "BLND", or "LAST" will be displayed. Choose an operating mode you would like the unit to start up in when power is applied or the DMX signal is lost.

- MAST (Master Slave) - If the DMX signal is lost or power is applied, the unit will automatically go into Master Slave mode.

- BLND (Blackout) - If the DMX signal is lost or power is applied, the unit will automatically go into stand by mode.

- LAST (Last State) - If the DMX signal is lost the fixture will stay in the last DMX set up. If power is applied and this mode is set, the unit will automatically go into the last DMX set up.

3. Press ENTER to confirm your desired set up

LED - With this function you can switch the LED on or off via the control board.

1. Press the either the MENU button until "LED" is displayed, press ENTER.

2. The display will show either "ON" or "OFF". Press the UP or DOWN buttons to select "ON" to switch on the LED, or "OFF" to switch off the LED.

3. Press ENTER to confirm and exit.