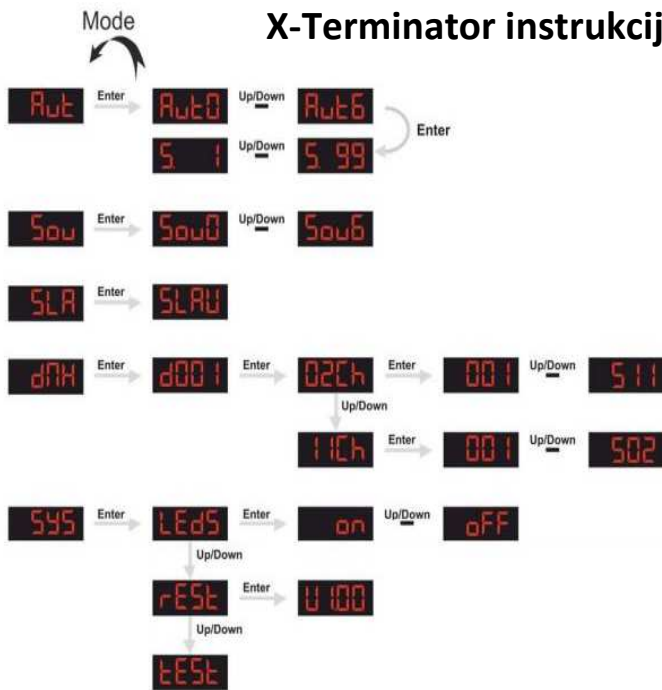


X-Terminator instrukcija



5. System Settings

- 01) Press the **MODE** button until the display shows **SYS**.
- 02) Press the **ENTER** button to enter the menu.
- 03) There are 3 options available. Press the UP and DOWN buttons to toggle between them:
 - LEdS** Power saving mode
 - rESE** System Reset
 - tESE** Test Mode

If the display shows **LEdS** press the **ENTER** button to enter the menu.

- 04) Press UP and DOWN buttons to choose between **on** and **oFF**.
- 05) If the device is set to ON, it is operating in the power saving mode. If the device is set to OFF, the power saving mode is inactive.

If the display shows **rESE** press the **ENTER** button to enter the menu.

- 06) **U100** will appear shortly on the display.
- 07) When it disappears, the device will return to the previously active mode and the settings will be reset to the factory values.

If the display shows **tESE** press the **ENTER** button to enter the menu.

- 08) It is now possible to test if all the features available on the device work properly.
- 09) It is possible to use the included remote control (page 11, Remote Control).

X-Terminator

Main Menu Options

Rut	Built-in programs
Sou	Sound-controlled
SLA	Master/Slave
dMx	DMX-512
SYS	System Settings

1. Built-in Shows

- 01) Press the **MODE** button until the display shows **Rut**.
- 02) Press the **ENTER** button to enter the menu.
- 03) Press the UP and DOWN buttons to run one of the built-in shows: **Rut0** and **Rut6**.
- 04) Once your preferred show has been chosen, press the **ENTER** button to proceed to speed settings.
- 05) Press the UP and DOWN buttons to adjust the speed of your preferred built-in show: **5** and **599**. The higher the value the faster the speed.

2. Sound-controlled Effect

This effect makes the unit respond to the beats of background music, being intercepted by the built-in microphone.

- 01) Press the **MODE** button until the display shows **Sou**.
- 02) Press the **ENTER** button to enter the menu.
- 03) Press the UP and DOWN buttons to run one of the sound-controlled shows: **Sou0** and **Sou6**.
- 04) Turn the control (11) on the rear panel to the left or right to, respectively, decrease or increase sensitivity of the device to background music.

3. Master/Slave Mode

- 01) Press the **MODE** button until the display shows **SLA**.
- 02) Press the **ENTER** button. **SLAU** will appear on the display.
- 03) The laser is now operating in Slave mode and it will react the same as the master device.

4. DMX Mode

With this menu you can set the desired DMX address.

- 01) Press the **MODE** button until the display shows **dMx**.
- 02) Press the **ENTER** button again, the display will show **d001**.
- 03) Press the **ENTER** button to enter the DMX Mode menu.
- 04) Press UP and DOWN buttons to choose one of the two available DMX modes:
 - 02Ch** 2 channels
 - 11Ch** 11 channels

- 05) If the display shows **02Ch** press the **ENTER** button to enter the menu.
- 06) Press the UP and DOWN buttons to select the DMX address between **001** and **511**.
- 07) If the display shows **11Ch** press the **ENTER** button to enter the menu.
- 08) Press the UP and DOWN buttons to select the DMX address between **001** and **502**.