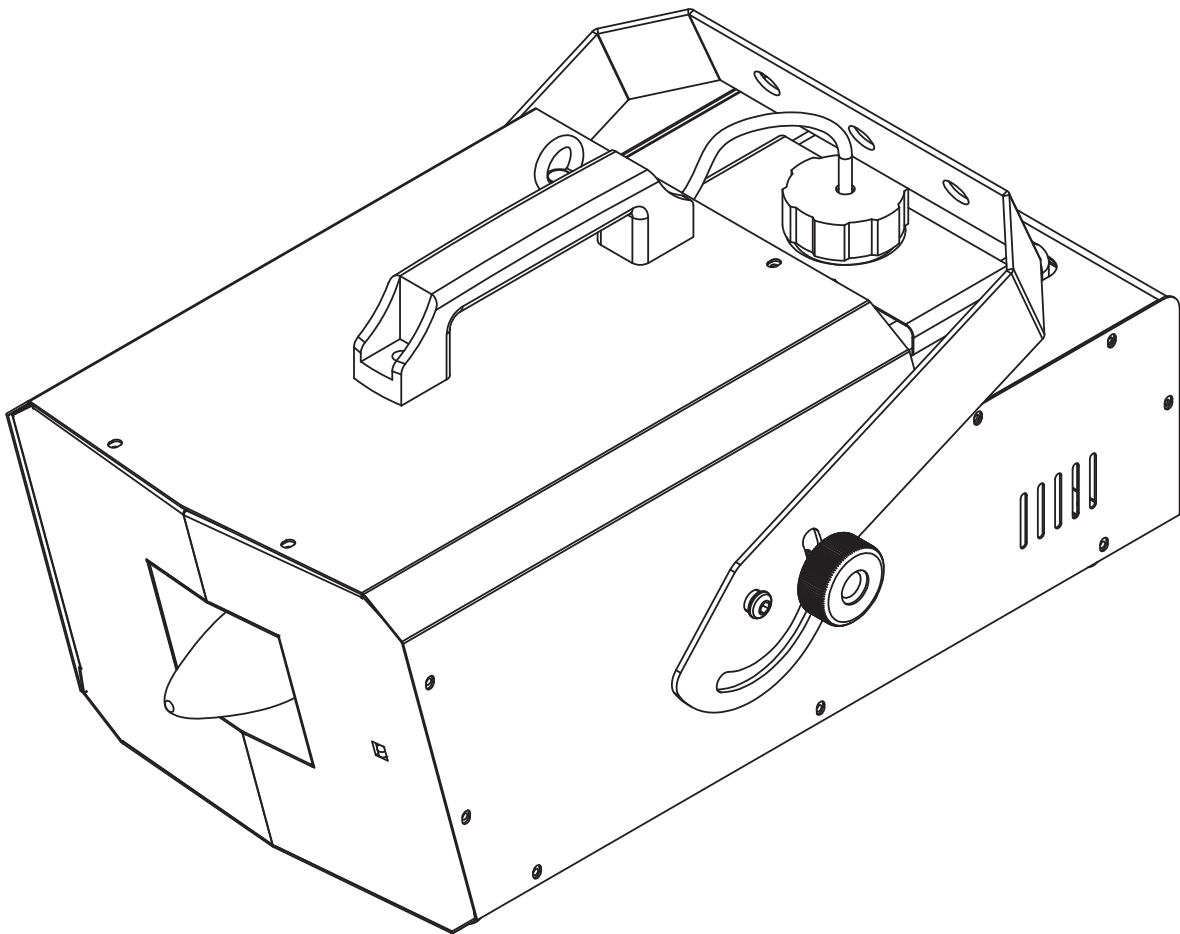


ELIMINATOR[®]

LIGHTING



VF SNOW FLURRY HO EP

User Manual

©2024 **Eliminator Lighting** all rights reserved. Information, specifications, diagrams, images, and instructions herein are subject to change without notice. Eliminator logo and identifying product names and numbers herein are trademarks of Eliminator Lighting. Copyright protection claimed includes all forms and matters of copyrightable materials and information now allowed by statutory or judicial law or hereinafter granted. Product names used in this document may be trademarks or registered trademarks of their respective companies and are hereby acknowledged. All non-Eliminator brands and product names are trademarks or registered trademarks of their respective companies.

Eliminator Lighting and all affiliated companies hereby disclaim any and all liabilities for property, equipment, building, and electrical damages, injuries to any persons, and direct or indirect economic loss associated with the use or reliance of any information contained within this document, and/or as a result of the improper, unsafe, insufficient and negligent assembly, installation, rigging, and operation of this product.

Eliminator Lighting

6122 S. Eastern Ave. Los Angeles, CA. 90040
323-582-2650 | Fax 323-532-2941 | www.adj.com | info@adj.com

ADJ SUPPLY Europe B.V

Junostraat 2 6468 EW Kerkrade, The Netherlands
+31 (0)45 546 85 00 | Fax +31 45 546 85 99
www.adj.eu | info@adj.eu

ADJ PRODUCTS GROUP Mexico

AV Santa Ana 30 Parque Industrial Lerma, Lerma, Mexico 52000
+52 (728) 282-7070

DOCUMENT VERSION



Due to additional product features and/or enhancements, an updated version of this document may be available online. Please check www.adj.com for the latest revision/update of this manual before beginning installation and/or programming.

Date	Document Version	DMX Channel Mode	Notes
04/17/24	1.0	1 Ch	Initial Release

CONTENTS

Introduction	4
Limited Warranty (USA Only)	5
Warranty Registration Description	6
Safety Precautions	7
Overview	8
Installation Guidelines	9
General Setup	13
DMX Setup	14
DMX Traits	16
Remote Operation	17
Trouble Shooting Storage and Maintenance	18
Specifications	19
Dimensional Drawings	20

INTRODUCTION

Congratulations on your purchase! The VF Snow Flurry HO EP snow machine has been designed to perform reliably for years when the guidelines in this booklet are followed. Please read and understand the instructions in this manual carefully and thoroughly before attempting to operate this unit. These instructions contain important information regarding safety during usage and maintenance.

CUSTOMER SUPPORT

Tel: (323) 213-4592 | Fax: (323) 582-2941

www.adj.com | support@eliminatorlighting.com

To purchase parts online visit <http://parts.adj.com>.

Warning! To prevent or reduce the risk of electrical shock or fire, do not expose this unit to rain or moisture.

Caution! There are no user serviceable parts inside this unit. Do not attempt any repairs yourself, as doing so will void your manufacturer's warranty. In the event that your unit requires service, please contact Eliminator Lighting for assistance.

Note: Specifications and improvements in the design of this unit and this manual are subject to change without any prior written notice.

PLEASE recycle the shipping carton whenever possible.

LIMITED WARRANTY (USA ONLY)

- A. Eliminator Lighting, an ADJ Products, LLC brand, hereby warrants, to the original purchaser, Eliminator Lighting products to be free of manufacturing defects in material and workmanship for a prescribed period from the date of purchase (see specific warranty period on reverse). This warranty shall be valid only if the product is purchased within the United States of America, including possessions and territories. It is the owner's responsibility to establish the date and place of purchase by acceptable evidence, at the time service is sought.
- B. For warranty service, you must obtain a Return Authorization number (RA#) before sending back the product—please contact ADJ Products, LLC Service Department at 800-322-6337. Send the product only to the Eliminator Lighting factory. All shipping charges must be pre-paid. If the requested repairs or service (including parts replacement) are within the terms of this warranty, Eliminator Lighting will pay return shipping charges only to a designated point within the United States. If the entire instrument is sent, it must be shipped in its original package. No accessories should be shipped with the product. If any accessories are shipped with the product, Eliminator Lighting shall have no liability whatsoever for loss of or damage to any such accessories, or for the safe return thereof.
- C. This warranty is void if the serial number has been altered or removed; if the product is modified in any manner which Eliminator Lighting concludes, after inspection, affects the reliability of the product, if the product has been repaired or service by anyone other than ADJ Products, LLC factory unless prior written authorization was issued to purchaser by Eliminator Lighting; if the product is damaged because not properly maintained as set forth in the instruction manual.
- D. This is not a service contract, and this warranty does not include maintenance, cleaning or periodic check up. During the period specified above, Eliminator Lighting will replace defective parts at its expense with new or refurbished parts, and will absorb all expenses for warranty service and repair labor by reason of defects in material or workmanship. The sole responsibility of Eliminator Lighting under this warranty shall be limited to the repair of the product, or replacement thereof, including parts, at the sole discretion of Eliminator Lighting. All products covered by this warranty were manufactured after August 15, 2012, and bear identifying marks to that effect.
- E. Eliminator Lighting reserves the right to make changes in design and/or improvements upon its products without any obligation to include these changes in any products theretofore manufactured.
- F. No warranty, whether expressed or implied, is given or made with respect to any accessory supplied with products described above. Except to the extent prohibited by applicable law, all implied warranties made by Eliminator Lighting in connection with this product, including warranties of merchantability or fitness, are limited in duration to the warranty period set forth above. And no warranties, whether expressed or implied, including warranties of merchantability or fitness, shall apply to this product after said period has expired. The consumer's and/or Dealer's sole remedy shall be such repair or replacement as is expressly provided above; and under no circumstances shall Eliminator Lighting be liable for any loss or damage, direct or consequential, arising out of the use of, or inability to use, this product.
- G. This warranty is the only written warranty applicable to Eliminator Lighting products and supersedes all prior warranties and written descriptions of warranty terms and conditions heretofore published.

LIMITED WARRANTY PERIODS

- **All Eliminator Lighting products (except laser diodes) = 1-year (365 days) Limited Warranty** (Such as: Special Effect Lighting, Intelligent Lighting, UV lighting, Strobos, Fog Machines, Bubble Machines, Mirror Balls, Par Cans, Trussing, Lighting Stands etc. excluding LED and lamps)
- **Laser Products = 1 Year (365 Days) Limited Warranty** (excludes laser diodes which have 6 month limited warranty)
- **Batteries = 180 Day Limited Warranty** (excluding batteries which have a 180 day limited warranty)

WARRANTY REGISTRATION

This device carries a one year (365 days) limited warranty. Please fill out the enclosed warranty card to validate your purchase. All returned service items, whether under warranty or not, must be freight pre-paid and accompanied by a return authorization (R.A.) number. The R.A. number must be clearly written on the outside of the return package. A brief description of the problem as well as the R.A. number must also be written down on a piece of paper included in the shipping carton. If the unit is under warranty, you must provide a copy of your proof of purchase invoice. You may obtain a R.A. number by contacting our customer support team on our customer support number. All packages returned to the service department not displaying a R.A. number on the outside of the package will be returned to the shipper.

DESCRIPTION

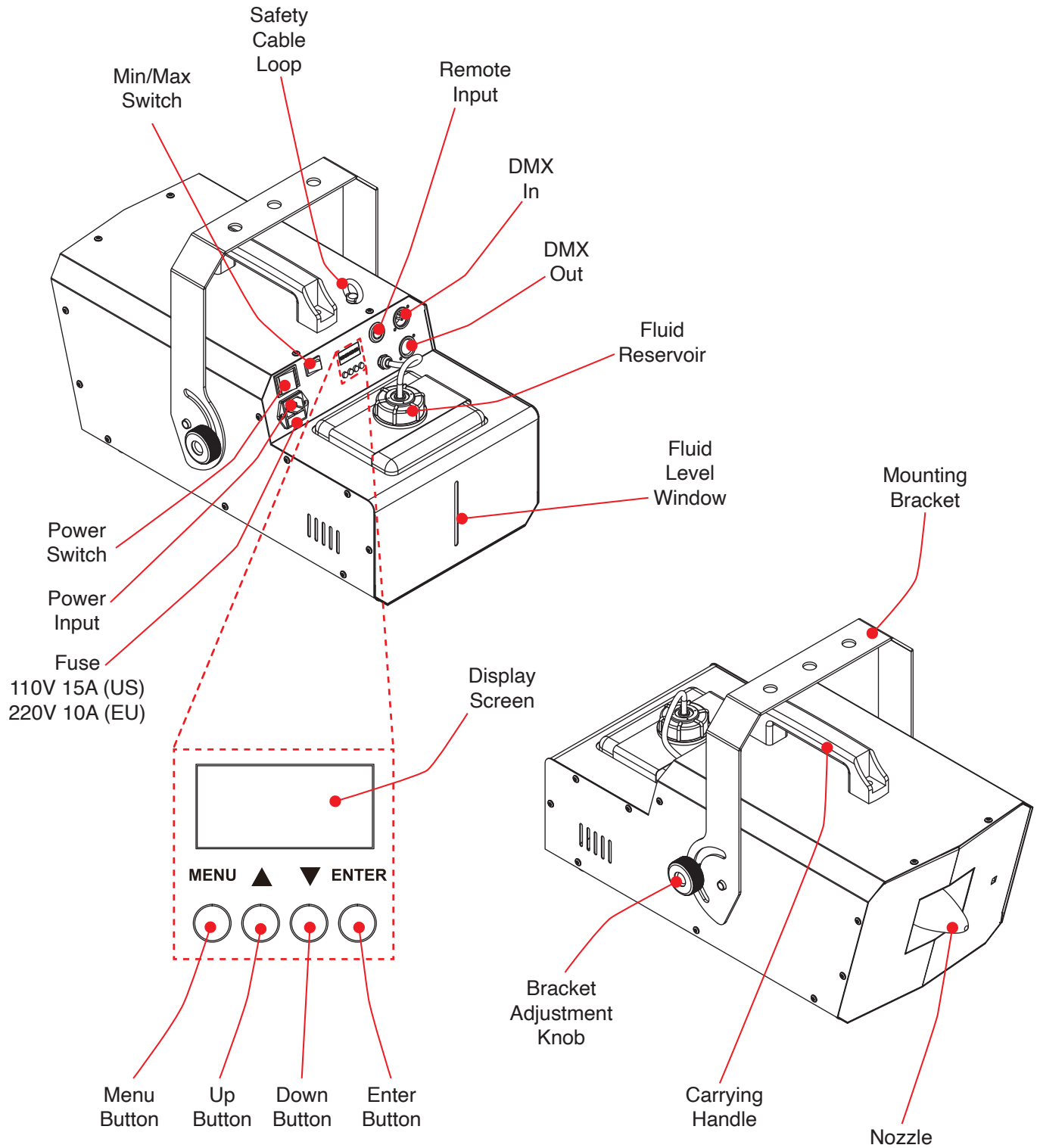
This device features a snow juice level sensor. When the snow juice level begins to run low, a built-in sensor inside the reservoir will automatically shut off the pump. This will prevent the pump from running dry, and therefore greatly increase the life of the pump.

This unit also includes a switch located on the rear panel that allows you to control the speed of the air pump located inside the unit, thereby controlling the size of the flakes that are produced by the machine. In the max position the air flow will be low, producing larger flakes. In the minimum position the air flow will be higher, producing smaller flakes. The snow output volume is controlled using the included remote control.

SAFETY PRECAUTIONS

- In the event that the unit needs to be returned to ADJ Products, LLC for service, use only the original packaging and materials for shipping.
- To reduce the risk of electrical shock or fire, do not expose this unit to rain or moisture.
- Do not spill water or other liquids into or onto your device.
- Ensure that the snow fluid is contained inside the fluid reservoir only. Do not spill snow fluid into or onto other internal components of the device.
- Ensure that the power outlet used matches the device's required voltage.
- Do not remove the cover for any reason. There are no user serviceable parts inside this device!
- Disconnect the unit from main power when left unused for long periods of time.
- Never connect this device to a dimmer pack.
- Do not attempt to operate this unit if it has been damaged in any way.
- Never operate this unit with the cover removed.
- Do not attempt to operate this unit if the power cord has been frayed or broken.
- Do not attempt to remove or break off the ground prong from the electrical cord. This prong is used to reduce the risk of electrical shock and fire in the event of an internal short.
- Disconnect from main power before attempting to make any type of connection.
- Never block the ventilation holes, and always be sure to mount this unit in an area that will allow proper ventilation. Allow at least 6" (15cm) clearance between this device and a wall.
- This unit is intended for indoor use only, and use of this product outdoors voids all warranties.
- Always mount this unit in a safe and stable manner.
- Please route your power cord out of the path of foot traffic. Power cords should be routed so that they are not likely to be walked on or pinched by items placed upon or against them.
- The fixture should be serviced by qualified service personnel when:
 - A. The power-supply cord or the plug has been damaged.
 - B. Objects have fallen onto, or liquid has been spilled into, the unit.
 - C. The unit has been exposed to rain or water.
 - D. The unit does not appear to operate normally or exhibits a marked change in performance.

OVERVIEW



INSTALLATION GUIDELINES



ELECTRICAL CONNECTIONS

A qualified electrician should be used for all electrical connections and/or installations.

DO NOT INSTALL THE FIXTURE IF YOU ARE NOT QUALIFIED TO DO SO!

Fixture MUST be installed following all local, national, and country commercial electrical and construction codes and regulations. Before rigging/mounting the fixture to any metal truss/structure or placing the fixture on any surface, a professional equipment installer MUST be consulted to determine if the metal truss/structure or surface is properly certified to safely hold the combined weight of the fixture, clamps, cables, and accessories.

Overhead fixture installation must always be secured with a secondary safety attachment, such as an appropriately rated safety cable that meets all local, national, and country codes and regulations.

Fixture should be installed away from walking paths, seating areas, or areas where unauthorized personnel might reach the fixture by hand.

NEVER stand directly below the fixture when rigging, removing, or servicing.

If the unit is installed in a suspended or hanging configuration, it should be mounted using a mounting clamp (not provided), and affixing it to the mounting bracket that is provided with the unit. Always ensure that the unit is firmly fixed to avoid vibration and slipping during operation. Always ensure that the structure that you are attaching the unit to is secure and is able to support at least 10 times the unit's weight. Also, always use a safety cable that can hold 12 times the unit's weight when installing the fixture. The equipment must be installed by a professional, and it must be installed in a place where it is out of the reach of people's grasp.

GENERAL SET UP

1. Open the shipping carton and carefully remove the unit from the shipping carton. Remove all the packing material from the device, paying special attention to the area around the nozzle.
2. Set the fog machine on a flat, dry surface. Locate the included bracket from the package and attach it to the sides of the fog machine using the supplied hardware. **Please note: The bracket is an optional accessory, and its usage is required when the fog machine is being installed in a suspended or hanging configuration.**
3. Fill the fog fluid reservoir with ADJ brand fog juice only and then tighten the cap.
4. Firmly attach the remote control unit to the remote control socket on the rear of the unit.
5. Plug the unit in to a compatible power supply. At this time, the fluid reservoir will glow red, indicating that the unit is warming up. Allow approximately eight minutes for the fogger to reach normal operating temperature. When it has reached sufficient temperature, the reservoir will glow green to indicate that the device is ready to emit fog.
6. To emit fog, either press the remote button, use the timer function, or use the manual button on the rear of the unit. See the **Timer Remote Operation** section of this manual for operating instructions.

INSTALLATION GUIDELINES



ELECTRICAL CONNECTIONS

A qualified electrician should be used for all electrical connections and/or installations.

DO NOT INSTALL THE FIXTURE IF YOU ARE NOT QUALIFIED TO DO SO!

Fixture **MUST** be installed following all local, national, and country commercial electrical and construction codes and regulations. Before rigging/mounting the fixture to any metal truss/structure or placing the fixture on any surface, a professional equipment installer **MUST** be consulted to determine if the metal truss/structure or surface is properly certified to safely hold the combined weight of the fixture, clamps, cables, and accessories.

Overhead fixture installation must always be secured with a secondary safety attachment, such as an appropriately rated safety cable that meets all local, national, and country codes and regulations.

Fixture should be installed away from walking paths, seating areas, or areas where unauthorized personnel might reach the fixture by hand.

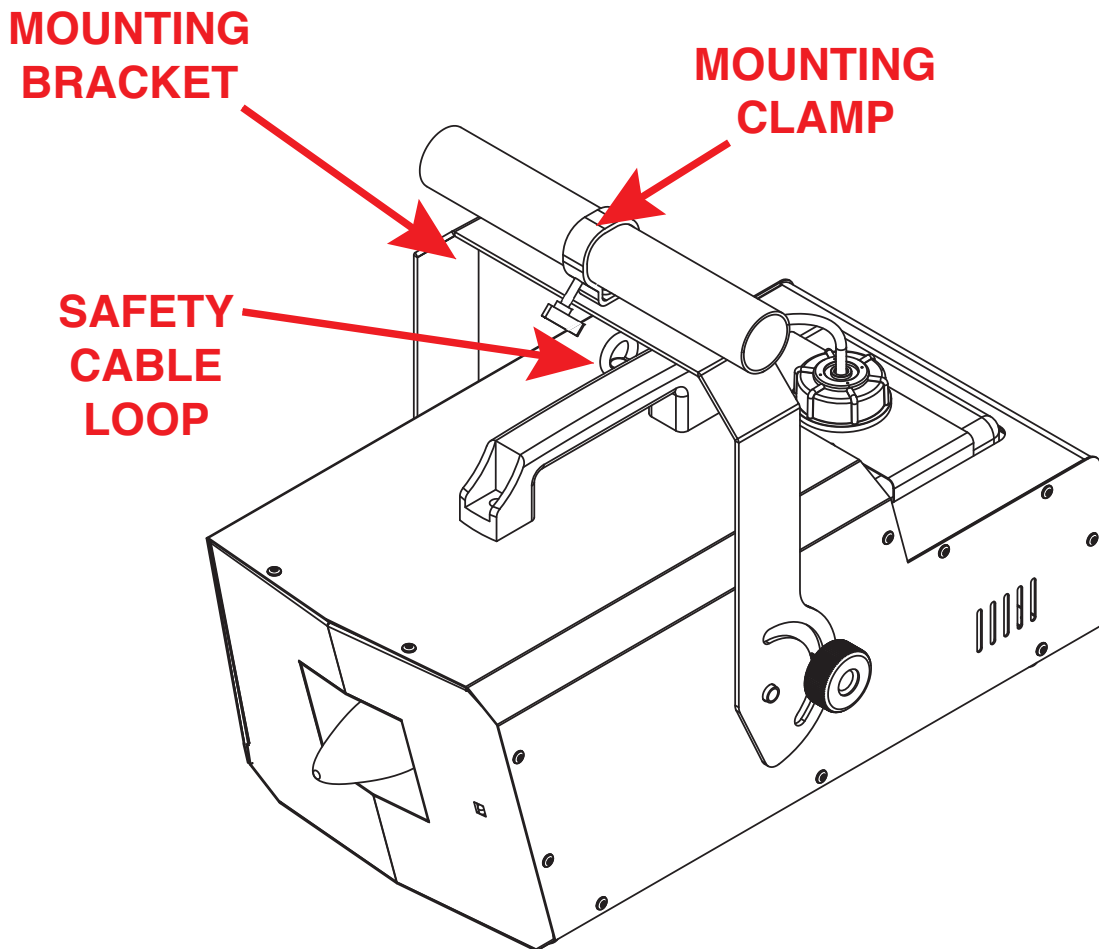
NEVER stand directly below the fixture when rigging, removing, or servicing.

If the unit is installed in a suspended or hanging configuration, it should be mounted using a mounting clamp (not provided), and affixing it to the mounting bracket that is provided with the unit. Always ensure that the unit is firmly fixed to avoid vibration and slipping during operation. Always ensure that the structure that you are attaching the unit to is secure and is able to support at least 10 times the unit's weight. Also, always use a safety cable that can hold 12 times the unit's weight when installing the fixture. The equipment must be installed by a professional, and it must be installed in a place where it is out of the reach of people's grasp.

INSTALLATION GUIDELINES

CLAMP MOUNTING

To install this device in a suspended environment, insert a bolt of the proper weight rating through the bottom of an appropriately rated mounting clamp as well as the mounting surface of the mounting bracket, then fasten in place with a bolt of the appropriate rating. **When installing this device suspended from a truss, make sure that the device hangs in a level position in order to prevent leakage from the fluid reservoir.** Be sure this fixture is kept at least 0.2m (7.9in.) away from any flammable materials (decoration etc.). This device also includes a safety cable attachment point on the top surface, near the fluid reservoir cap. Always use and install a properly rated supplied safety cable as a safety measure to prevent accidental damage and/or injury in the event the clamp fails. Never use the carrying handles for secondary attachment.



ALWAYS ATTACH A SAFETY CABLE WHENEVER INSTALLING THIS FIXTURE IN A SUSPENDED ENVIRONMENT TO ENSURE THE FIXTURE WILL NOT FALL IF THE CLAMP FAILS.

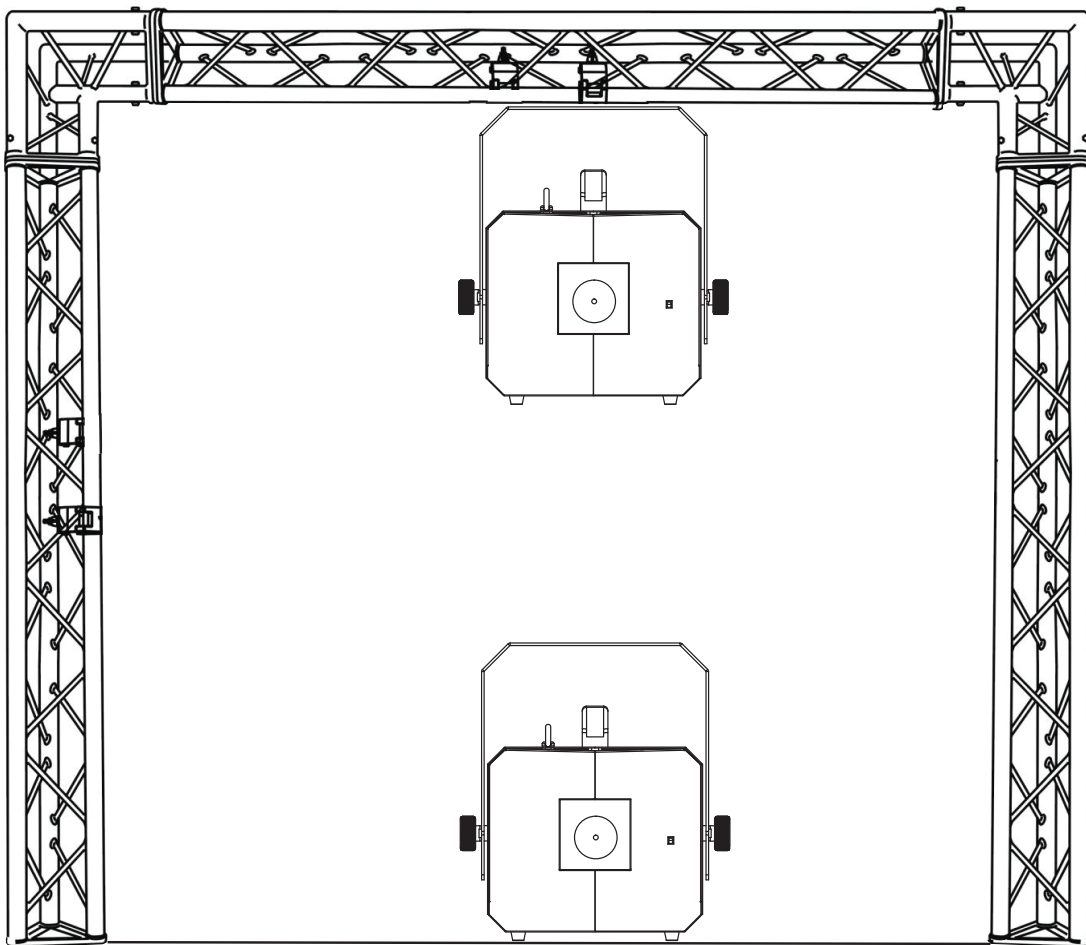
INSTALLATION GUIDELINES

RIGGING

Overhead rigging requires extensive experience, including but not limited to: calculating working load limits, understanding the installation material being used, and periodic safety inspection of all installation material and the fixture itself. If you lack these qualifications, do not attempt to perform the installation yourself. Improper installation can result in bodily injury.

FIXTURE INSTALLATION

This device is fully operational in two different mounting positions: hanging in a level position from a truss, or set on a flat level surface. **Regardless of configuration, the device should be in a level position in order to prevent leakage from the fluid reservoir.** Be sure this fixture is kept at least 0.2m (7.9in.) away from any flammable materials (decoration etc.). Always use and install the supplied safety cable as a safety measure to prevent accidental damage and/or injury in the event the clamp fails. Never use the carrying handles for secondary attachment.



FALLING FIXTURES CAN CAUSE SEVERE INJURY OR SERIOUS EQUIPMENT DAMAGE! FOR THIS REASON, FIXTURES SHOULD BE INSTALLED AND INSPECTED ONLY BY QUALIFIED PERSONNEL. DO NOT INSTALL THE UNIT IF YOU LACK THE QUALIFICATIONS TO DO SO, OR IF YOU HAVE DOUBTS ABOUT THE SAFETY AND SECURITY OF THE INSTALLATION SETUP OR LOCATION!

GENERAL SETUP

1. Open the shipping carton and carefully remove the unit from the shipping carton. Remove all the packing material from the device, paying special attention to the area around the nozzle.
2. Set the device on a flat, dry surface. Locate the included bracket from the package and attach it to the sides of the fog machine using the supplied hardware. **Please note: The bracket is an optional accessory, and its usage is required when the device is being installed in a suspended or hanging configuration.**
3. Remove the fluid reservoir and fill with ADJ brand snow juice only, then re-install the reservoir in place.
4. Place the feeder tube with the filter deep inside the reservoir and tighten the cap.
5. Use the switch on the rear of the unit to set the air volume output to either the minimum setting (large snow flakes) or the maximum setting (small snow flakes).
6. Firmly attach the remote control unit to the rear remote control socket on the unit. Turn the rotary knob to adjust the snow output level. Turning the knob clockwise reduces the snow output, while turning it counter-clockwise increases the snow output.
7. Plug the unit in to a matching power supply. Switch on the main power located on the rear panel of the unit. The fluid reservoir window will glow green to indicate that the unit is receiving power.

DMX SETUP

Power Supply: Before plugging your unit in, be sure the source voltage in your area matches the required voltage for your device. The VF Snow Flurry HO EP is available in 120v and 220v versions. Because line voltage may vary from venue to venue, it is important to verify that your unit voltage matches the wall outlet voltage before attempting to operate your fixture.

DMX-512: DMX is short for Digital Multiplex. This is a universal protocol that is used as a form of communication between intelligent fixtures and controllers. A DMX controller sends DMX data instructions from the controller to the fixture. DMX data is sent as serial data that travels from fixture to fixture via the DATA “IN” and DATA “OUT” XLR terminals located on all DMX fixtures (most controllers only have a DATA “OUT” terminal).

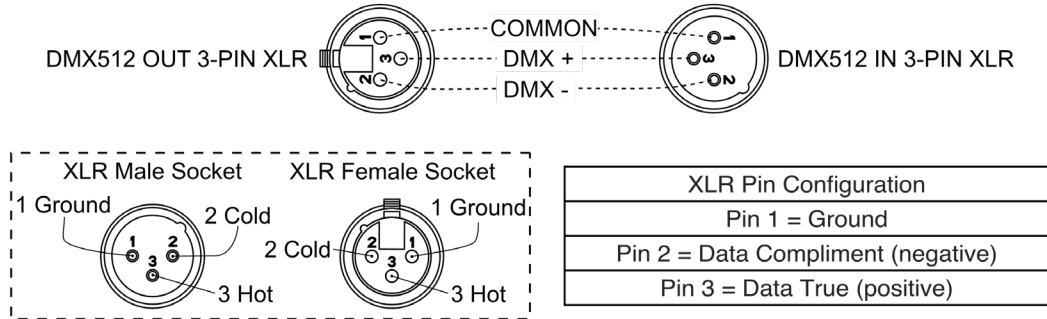
DMX Linking: DMX is a language allowing all makes and models of different manufacturers to be linked together and operate from a single controller, as long as all fixtures and the controller are DMX compliant. To ensure proper DMX data transmission, try to use the shortest cable path possible when linking several DMX fixtures together. The order in which fixtures are connected in a DMX line does not influence the DMX addressing. For example, a fixture assigned a DMX address of 1 may be placed anywhere in a DMX line: at the beginning, at the end, or anywhere in the middle. When a fixture is assigned a DMX address of 1, the DMX controller knows to send DATA assigned to address 1 to that unit, no matter where it is located in the DMX chain.

Data Cable (DMX Cable) Requirements (For DMX Operation): This device can be controlled via DMX-512 protocol, and is a 1-channel DMX unit. The DMX address is set using the dip switches on the back panel of the unit. Your unit and your DMX controller require an approved DMX-512 110-ohm data cable for data input and output (Figure 1). We recommend Accu-Cable DMX cables. If you are making your own cables, be sure to use standard 110-120 Ohm shielded cable (This cable may be purchased at almost all professional lighting stores). Your cables should be made with a male XLR connector at one end and a female XLR connector at the other. Also remember that DMX cable must be daisy chained and cannot be split.

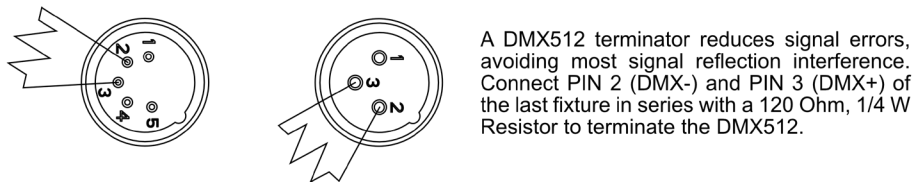


DMX SETUP

Notice: Be sure to follow figures two and three when making your own cables. Do not use the ground lug on the XLR connector. Do not connect the cable's shield conductor to the ground lug or allow the shield conductor to come in contact with the XLR's outer casing. Grounding the shield could cause a short circuit and erratic behavior.



Special Note: Line Termination. When longer runs of cable are used, you may need to use a terminator on the last unit to avoid erratic behavior. A terminator is a 110-120 ohm 1/4 watt resistor which is connected between pins 2 and 3 of a male XLR connector (DATA + and DATA -). This unit is inserted in the female XLR connector of the last unit in your daisy chain to terminate the line. Using a cable terminator (ADJ part number Z-DMX/T) will decrease the chances of erratic behavior.



5-Pin XLR DMX Connectors. Some manufacturers use 5-pin DMX-512 data cables for DATA transmission in place of 3-pin. 5-pin DMX fixtures may be implemented in a 3-pin DMX line by using a cable adapter, which can readily be found at most electronics stores. The chart below details a proper cable conversion.



3-Pin XLR to 5-Pin XLR Conversion		
Ground/Shield	Pin 1	Pin 1
Data Compliment (- signal)	Pin 2	Pin 2
Data True (+ signal)	Pin 3	Pin 3
Not Used		Do Not Use
Not Used		Do Not Use

DMX TRAITS

This device features a single DMX channel. This allows you to control each individual fixture's traits with a standard DMX 512 controller.

1. Use a DMX cable to link your DMX controller to the snow machine via the DMX In port on the snow machine. The snow machine should automatically detect the DMX signal. The currently selected DMX address will appear on the display screen. To change the DMX address, use the UP and DOWN buttons to scroll to your desired address, and press ENTER to confirm.
2. Alternately, you can set the DMX address first using the UP or DOWN buttons, then press ENTER. The address you have set will be the saved address and will appear everytime you connect to DMX until you change the address.
3. After you have set your DMX address, connect the fixture to any standard DMX controller using the XLR connections. Follow the set-up specifications that come with your DMX controller.

CHANNEL	DMX VALUES	FUNCTION
1		Snow Output
	000 - 010	Fan Off, no snow output
	011 - 255	Fan On, snow output, least snow to most snow

REMOTE OPERATION

UC IR REMOTE

The UC IR infrared remote (not included) gives you control of simple functions. To control the fixture, you must aim the remote at the front of the fixture. Maximum range is 30 feet. Please note: the UC IR is deactivated when the unit is in DMX mode. UC IR mode will automatically save settings from the last use.

To run your fixture using the UC IR remote, use the digital menu located on the rear panel of the unit. Press the MENU button until “Ir” is displayed and press ENTER. Controls are described below:

- *STAND BY* - Use to switch the device on or off.
- *“DIMMER +”* and *“DIMMER -”* - Use to adjust the output intensity. “+” increases snow output, and “-” decreases snow output.

TIMER REMOTE OPERATION

Connect the remote to the fog machine. The timer function allows fog to be emitted at designated intervals. The remote has three (3) LED’s that indicate different functions. Please note that this function will be deactivated when the device is in DMX or UC IR control-mode.

- The yellow LED located on the left indicates that the timer is active.
- The red LED indicates that the remote is connected and active.
- The green LED on the right indicates that the timer remote control is active. This button can be used to manually emit snow. The green LED will also flash if the tank fluid level is empty or low.

The remote also features three rotary knobs.

- The Duration knob sets the timer duration (Length of snow output burst).
- The Interval knob sets the snow output interval (Length between snow output bursts).
- The Output knob sets the amount of snow the machine will output.

Caution: Before removing or replacing the remote control unit, disconnect the power supply. Always be sure to maintain an adequate supply of ADJ Brand Snow Juice in the fluid reservoir. Running the snow machine dry will cause pump failure and or clogging. This is the leading cause of failure in snow, fog, and haze machines. Only ADJ Snow Juice is recommended for use with this device.

TROUBLE SHOOTING

If you experience low snow output, pump noise, or no snow output at all, disconnect the device from power and discontinue use immediately. Do not continue to push the remote control's activation button, as this may damage the device. Check fluid level, the external fuse or breaker, and remote connection, and verify that the wall outlet is sending power. If none of these factors prove to be the cause of the problem, and the unit still fails to operate correctly, the unit may require service. Please contact customer support for further instructions. Please do not return the unit to your dealer without contacting customer support first.

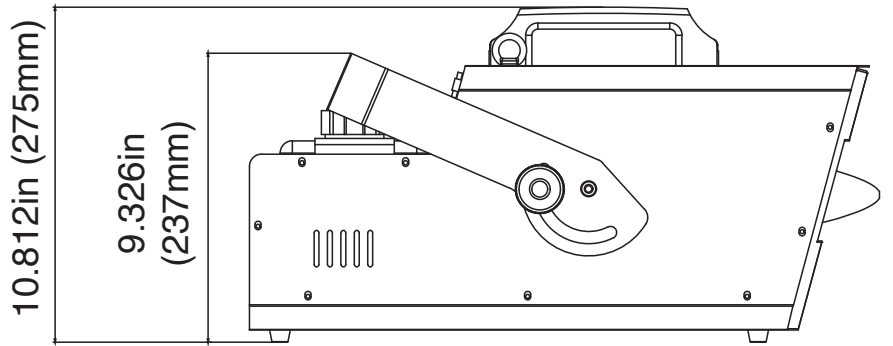
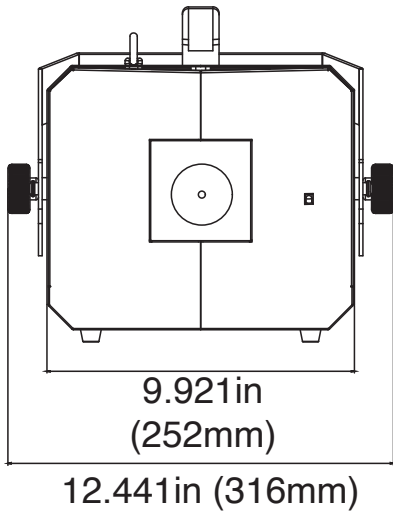
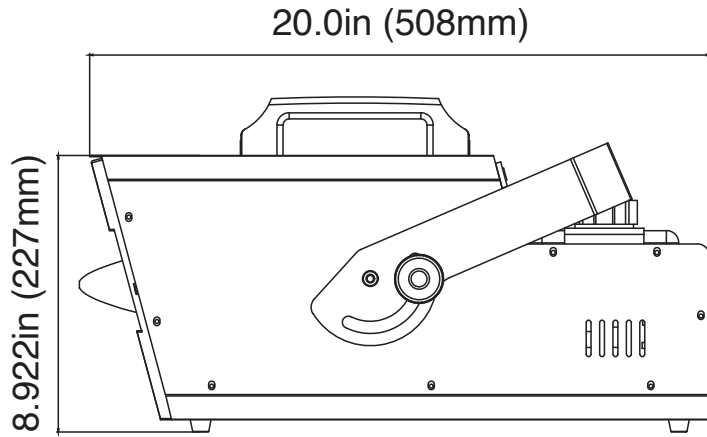
STORAGE AND MAINTENANCE

Store your device only in a cool area, and cover the device to prevent dust buildup. When storing for long periods of time, it is highly advised to at least run the device at least once every 3-4 months, as long periods of inactivity can severely shorten the operational life. Only run water based snow juice through your device. Never run plain water, vinegar, or any other liquid solution through your device, as running anything other than water based snow juice will cause severe damage.

SPECIFICATIONS

- 1650W mobile DMX Snow Machine
- Spray distance: 2-5 meters
- Volume selection switch: Low or high snow output
- Low snow fluid sensor to protect pump
- Internal snow fluid tank: 2.3 Liter
- Fluid level indicator
- Includes Eliminator's VFFLUR-TR 9-foot wired remote control with on/off timer controls, continuous output, manual control, plus interval, duration and output volume potentiometers
- On/Off switch on rear panel
- 3-pin DMX In/Out (1 DMX channel)
- Includes safety cable latch
- Uses water based ADJ SNOW GAL snow fluid
- Fluid consumption: 430ml/min (max output)
- Dimensions with Bracket (LxWxH): 20" x 12.5" x 13.75" / 510 x 316 x 349mm
- Dimensions without Bracket: 20" x 12.5" x 10.8" / 510 x 316 x 275mm
- Weight: 18 lbs. / 8 kg.

DIMENSIONAL DRAWINGS



This page intentionally left blank.

